



LION GUN® Electric Torque Tool

The LION GUN Electric Torque Tool with built-in data recording offers unmatched portability and convenience, making safe and accurate bolting simpler than ever. This 18-Volt battery powered tool, with capacity up to 700 ft-lbs, delivers industrial-grade power without the weight. Built-in data recording provides a permanent record of the work performed. This tool is compatible with conventional sockets, the HYTORC Washer, and the HYTORC Nut.

INDUSTRIAL-GRADE POWER



The LION GUN Tool's industrial-strength gear box is driven by a brushless DC motor connected to a non-impacting gearbox to deliver torque faster, smoother and more reliably than manual clicker wrenches, impact wrenches and other tightening tools.

UNMATCHED PORTABILITY

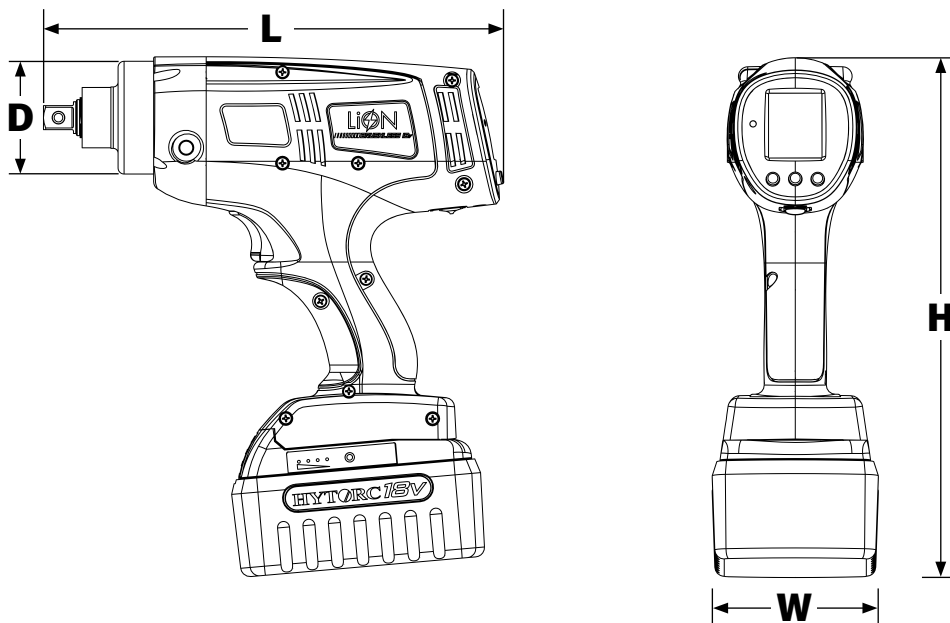


Through the use of aerospace-grade alloys, the LION GUN Tool packs tremendous power without the weight. The 18-Volt lithium-ion battery provides long lasting operation with a quick recharge time to keep the job going.

DATA RECORDING



Built-in data recording allows the user to maintain a log of all completed bolting jobs. For improved quality control and accountability, the information can be saved to a PC or tablet to provide a permanent record of the work performed.



LEGEND: H = HEIGHT W = WIDTH L = LENGTH D = DIAMETER

| CONFIGURATION | H | W | L | D | SQUARE DRIVE | WEIGHT | TORQUE | | RPM | |
|-----------------|-------|------|-------|------|--------------|--------|--------|--------------|--------------|-----|
| IMPERIAL | | | | | in. | | lbs. | ft-lbs (Min) | ft-lbs (Max) | |
| LIONGUN-.25 | 10.83 | 3.47 | 10.16 | 2.35 | 1/2 | 7.30 | 25 | 250 | 11.6 | |
| LIONGUN-.7 | 10.83 | 3.47 | 11.13 | 2.45 | 3/4 | 8.22 | 70 | 700 | 4.1 | |
| LIONGUN-.25-BSM | 10.83 | 3.47 | 10.16 | 2.35 | 1/2 | 7.30 | 25 | 250 | 11.6 | |
| LIONGUN-.7-BSM | 10.83 | 3.47 | 11.13 | 2.45 | 3/4 | 8.22 | 70 | 700 | 4.1 | |
| METRIC | | | | | mm | | kg | Nm (Min) | Nm (Max) | RPM |
| LIONGUN-.25 | 275 | 88 | 258 | 60 | 1/2 | 3.32 | 34 | 339 | 11.6 | |
| LIONGUN-.7 | 275 | 88 | 283 | 62 | 3/4 | 3.74 | 95 | 949 | 4.1 | |
| LIONGUN-.25-BSM | 275 | 88 | 258 | 60 | 1/2 | 3.32 | 34 | 339 | 11.6 | |
| LIONGUN-.7-BSM | 275 | 88 | 283 | 62 | 3/4 | 3.74 | 95 | 949 | 4.1 | |

COMPLETE KIT CONTENTS

- LION GUN Electric Torque Tool
- Reaction Arm
- Storage Case
- 18V Battery
- Battery Charging System
- Operations Manual
- Calibration Certificate

CONFIGURATION

LIONGUN — —

Model: LIONGUN Tool **Capacity:** Available: .25, .7 **Communication:** BSM: Bluetooth Communication
Blank: USB Only

The World's Most Trusted Industrial Bolting Systems

HYTORC owns all content, copyrights, trademarks and patents in this document. © 2021 HYTORC. Any unauthorized use or distribution of any material from this document is strictly prohibited.



Headquarters:
333 Route 17 N., Mahwah, NJ 07430
+1-201-512-9500

Email:
info@hytorc.com

Phone:
1-800-FOR-HYTORC

Online:
hytorc.com