



QUICK SPECS

Scan code for full specifications.

TORQUE RANGE

243 - 59,110 ft.-lbs. / 329 - 80143 Nm

WEIGHT

2.05 - 48.00 lbs. / 0.93 - 21.80 kg

HEIGHT

4.02 - 13.39 in. / 102 - 340 mm

RADIUS

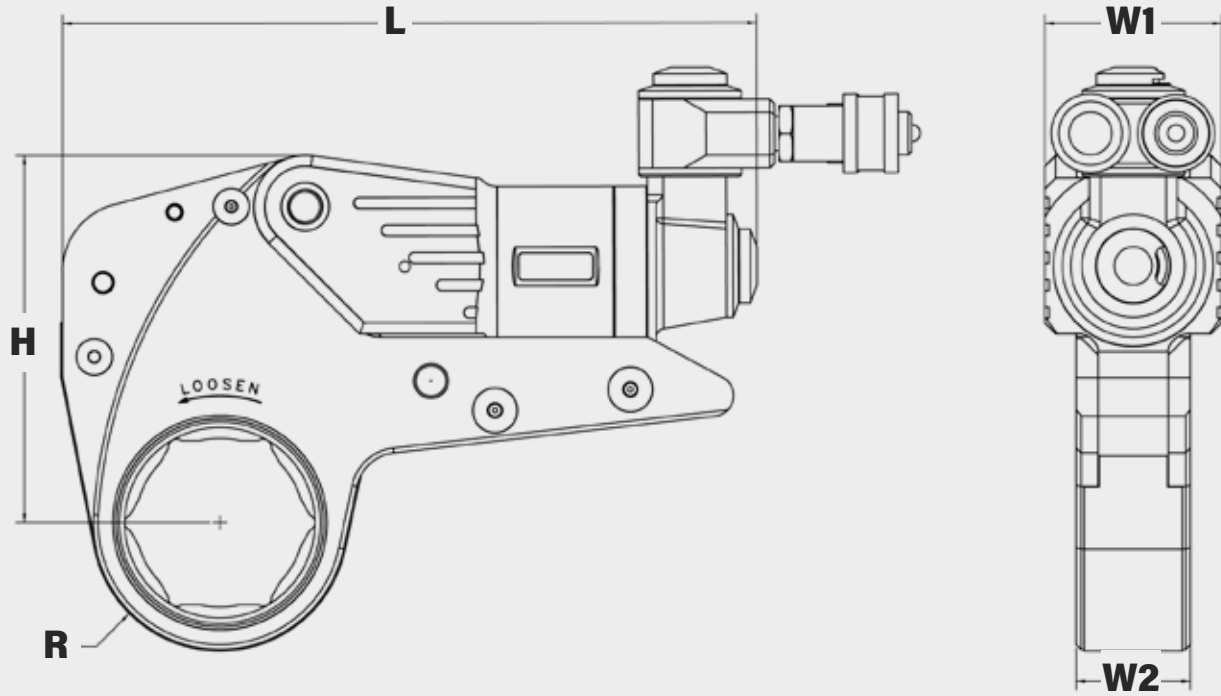
1.03 - 5.03 in. / 26 - 128 mm

XLCT® Hydraulic Torque Wrench

The XLCT is the world's best-selling limited clearance industrial bolting system with over 100,000 in use around the world. Since 1992, the signature red housing has represented quality, durability and reliability on job sites in every major industry. The XLCT features AB rollers, open spanner links, and multi-use accessories. From the tallest roller coasters to the world's largest bridges, the XLCT has the power to get the job done.

- LOCK UP RELEASE
- ZERO SLIP RATCHET
- MULTI-USE ACCESSORIES

FULL SPECIFICATIONS



LEGEND: H = HEIGHT W1 = WIDTH OF POWERHEAD W2 = WIDTH OF LINK L = LENGTH R = RADIUS

MODEL NUMBER	H	W1	W2	L	R		WEIGHT	TORQUE	
IMPERIAL	in.				in. (Min)	in. (Max)	lbs.	ft-lbs (Min)	ft-lbs (Max)
XLCT - 2	4.02	1.94	1.25	7.33	1.03	1.76	2.05	243	1,687
XLCT - 4	5.36	2.58	1.67	10.19	1.33	2.32	4.25	580	3,855
XLCT - 8	6.70	3.23	2.09	12.29	1.77	2.89	7.15	1,143	8,151
XLCT - 14	8.04	3.88	2.50	14.61	2.32	3.47	11.30	2,010	13,400
XLCT - 18	9.08	4.38	2.83	14.34	2.62	3.87	14.85	2,790	19,100
XLCT - 30	10.71	5.17	3.35	16.82	3.07	4.80	23.80	4,579	30,986
XLCT - 45	13.39	6.00	3.94	21.10	4.05	4.88	43.00	7,130	49,180
XLCT - 60	13.39	6.46	4.16	20.70	4.81	5.03	48.00	8,867	59,110

METRIC	mm			mm (Max)	mm (Max)	kg	Nm (Min)	Nm (Max)	
XLCT - 2	102	49	32	186	26	44.70	0.93	329	2286
XLCT - 4	136	66	42	259	34	58.93	1.93	786	5224
XLCT - 8	170	82	53	312	45	73.41	3.25	1549	11045
XLCT - 14	204	99	64	371	59	88.14	5.14	2724	18157
XLCT - 18	231	111	72	364	67	98.30	6.75	3780	25881
XLCT - 30	272	131	85	427	78	121.92	10.82	6205	41986
XLCT - 45	340	152	100	536	103	124.00	19.50	9667	66679
XLCT - 60	340	164	106	526	122	128.00	21.80	12022	80143

HYTORC owns all content, copyrights, trademarks and patents in this document. © 2023 HYTORC. Any unauthorized use or distribution of any material from this document is strictly prohibited.



Headquarters:
333 Route 17 N., Mahwah, NJ 07430
+1-201-512-9500

Contact:
1-800-FOR-HYTORC
info@hytorc.com

Online:
hytorc.com